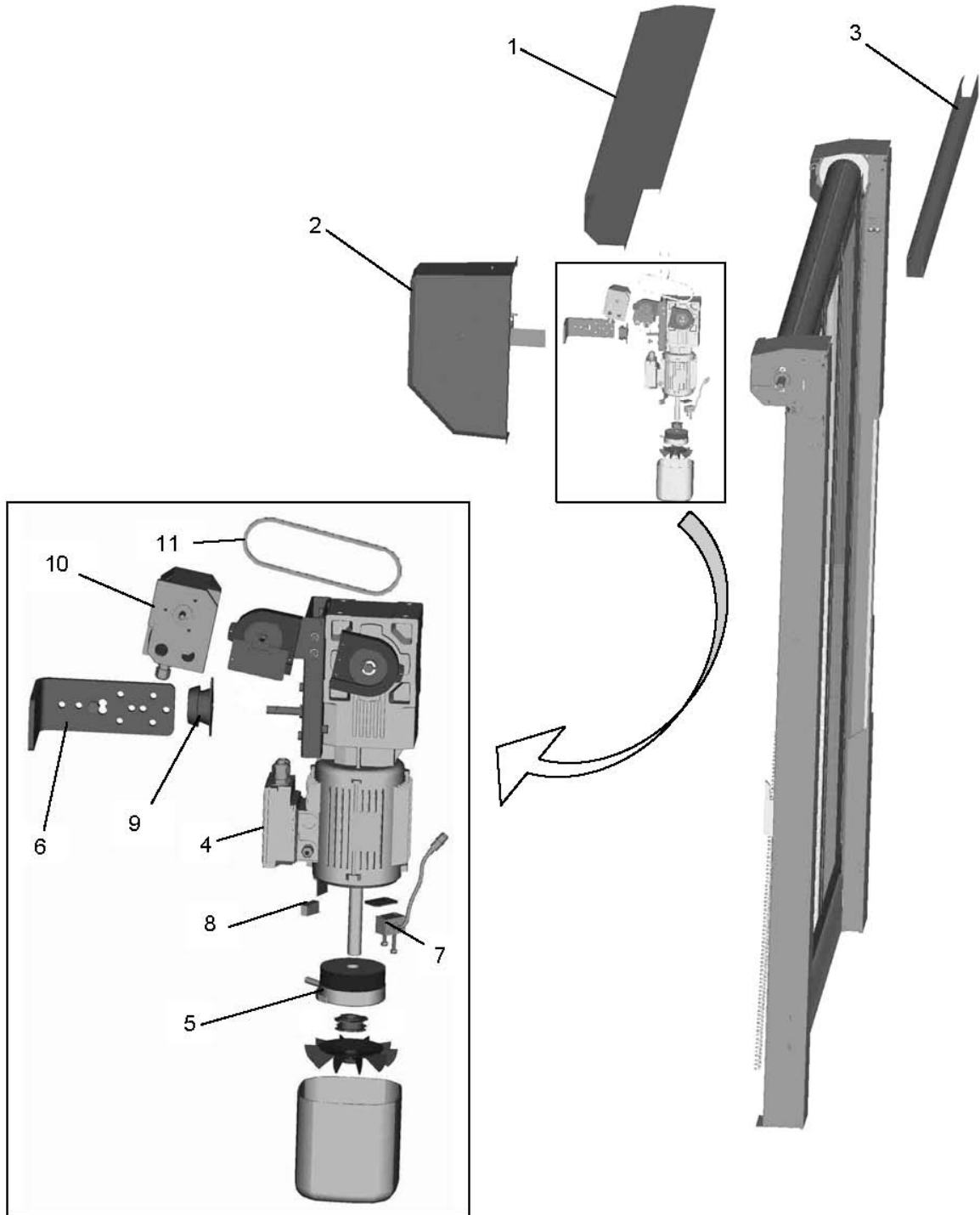


Model 392 Parts List

Drive and cover drawing

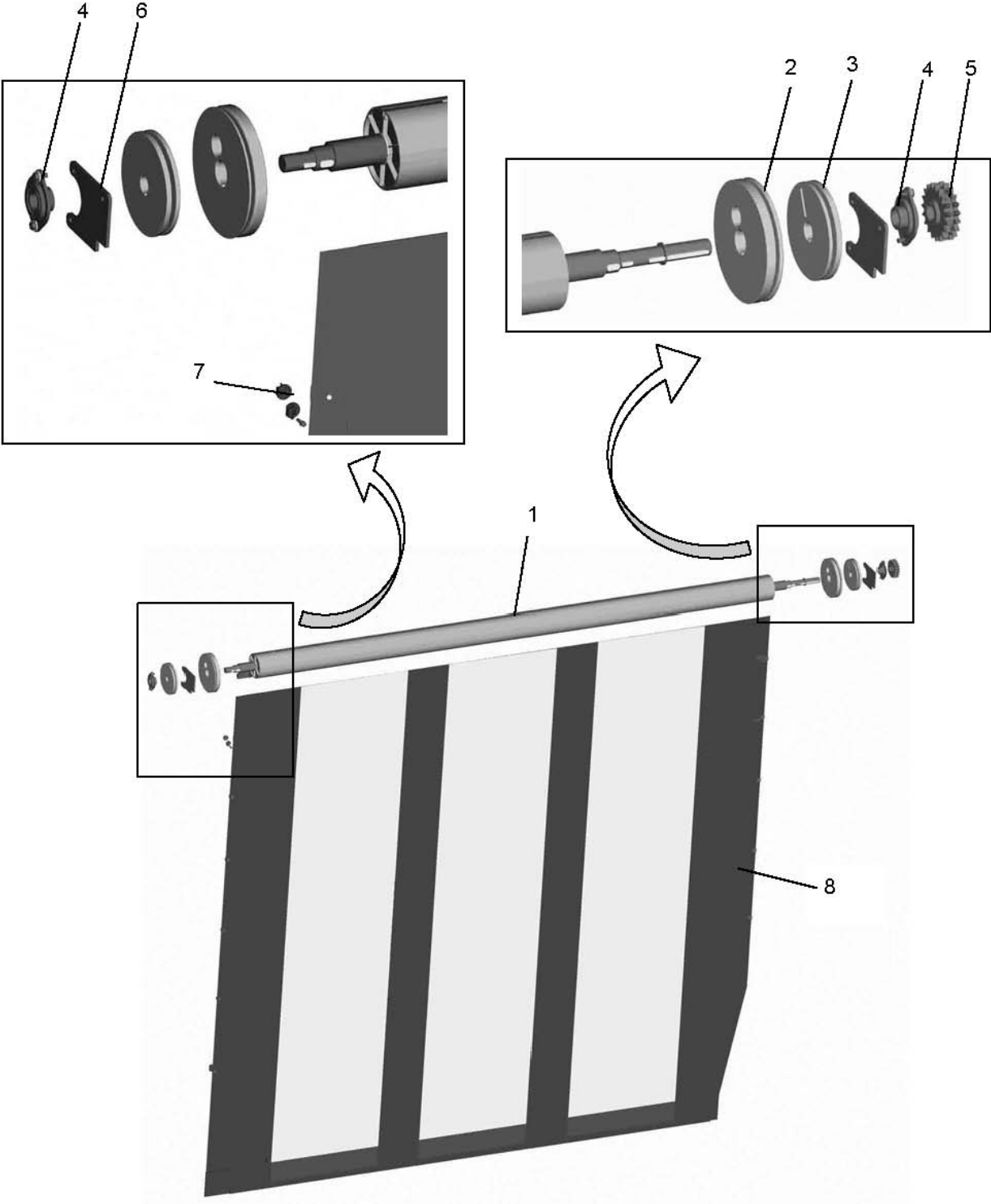


Drive and cover part numbers

Item	Description	Part-No.
1	Top roll cover (X)	8260RG001
	Motor cover (X)	
2	Black LH	8160R0021
	Black RH	8160R0022
3	Width Guage Assembly	8270RG001
4	Gear motor Gear motor 220/240, 440/480V for control ACS 50	6601R0065
	Gear motor 220/240, 440/480V for control ACS 50	6601R0078
5	Brake 15 Nm 180V DC HL	6622R0018
6	Torque arrester	4521R0776
7	Double proximity switch (ENCODER) (X)	4905R0019
8	Microswitch	6621R0002
9	Vibration damper	5004R0041
10	Geared limit switches unit	8410R0004
11	Chain	5105R0036

(X) Optional not standard version

Top roll with door curtain drawing

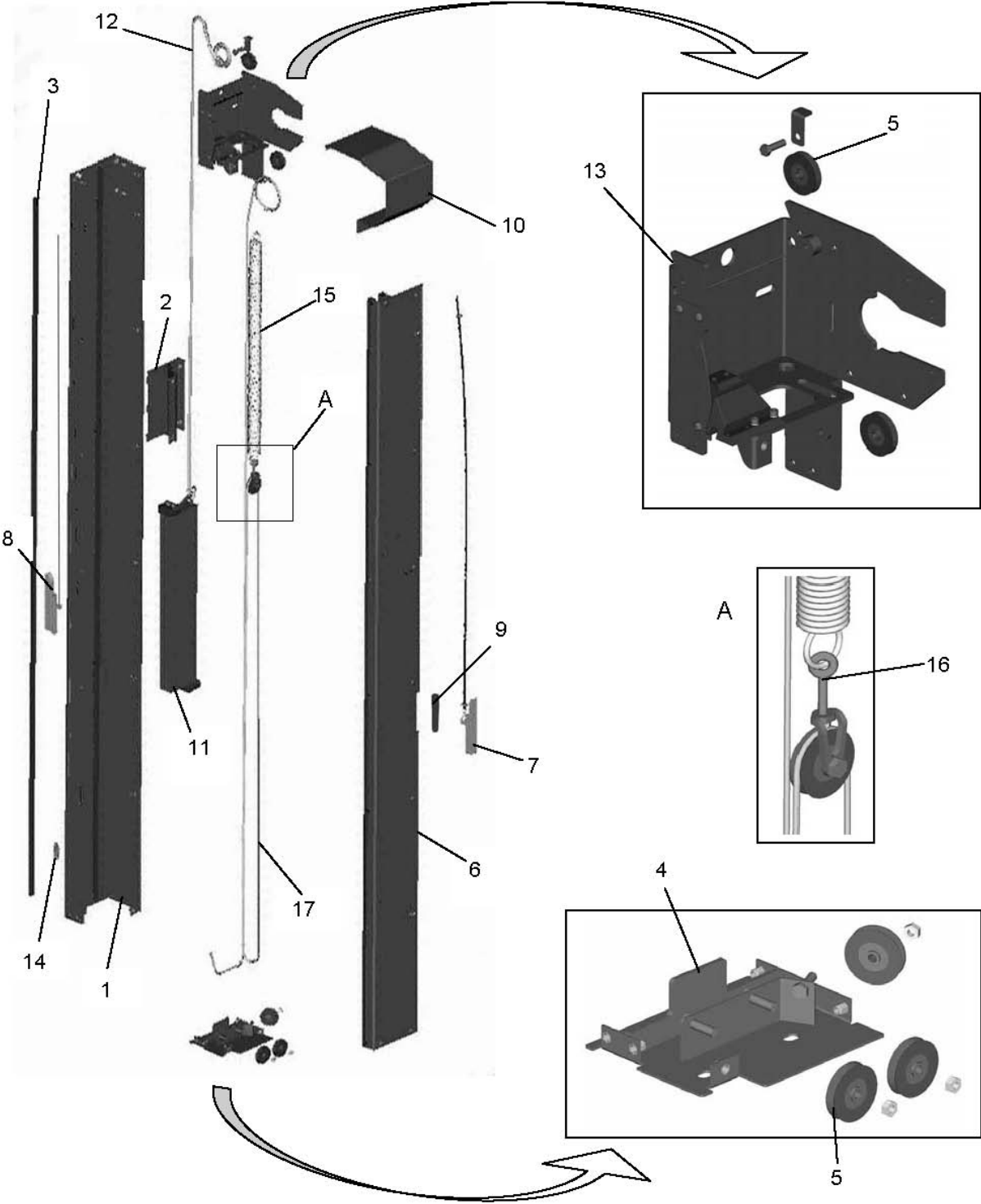


Top roll with door curtain part numbers

Item	Description	Part-No.
1	Barrel Alum	8240RG004
	Barrel Alum chain drive (x)	8240RG005
2	Rope pulley H<=4500mm, Curtain tension	4701R0228
3	Rope pulley H<=4500mm	4701R0224
4	Flange bearing	8140R0005
5	Sprocket, double chain (X)	5101R0091
6	Bracket, Bearing Attach	4521R0162
7	Windclips	8130R0001
8	Curtain	Call Factory

(X) Optional not standard version

Side columns RH and LH drawing

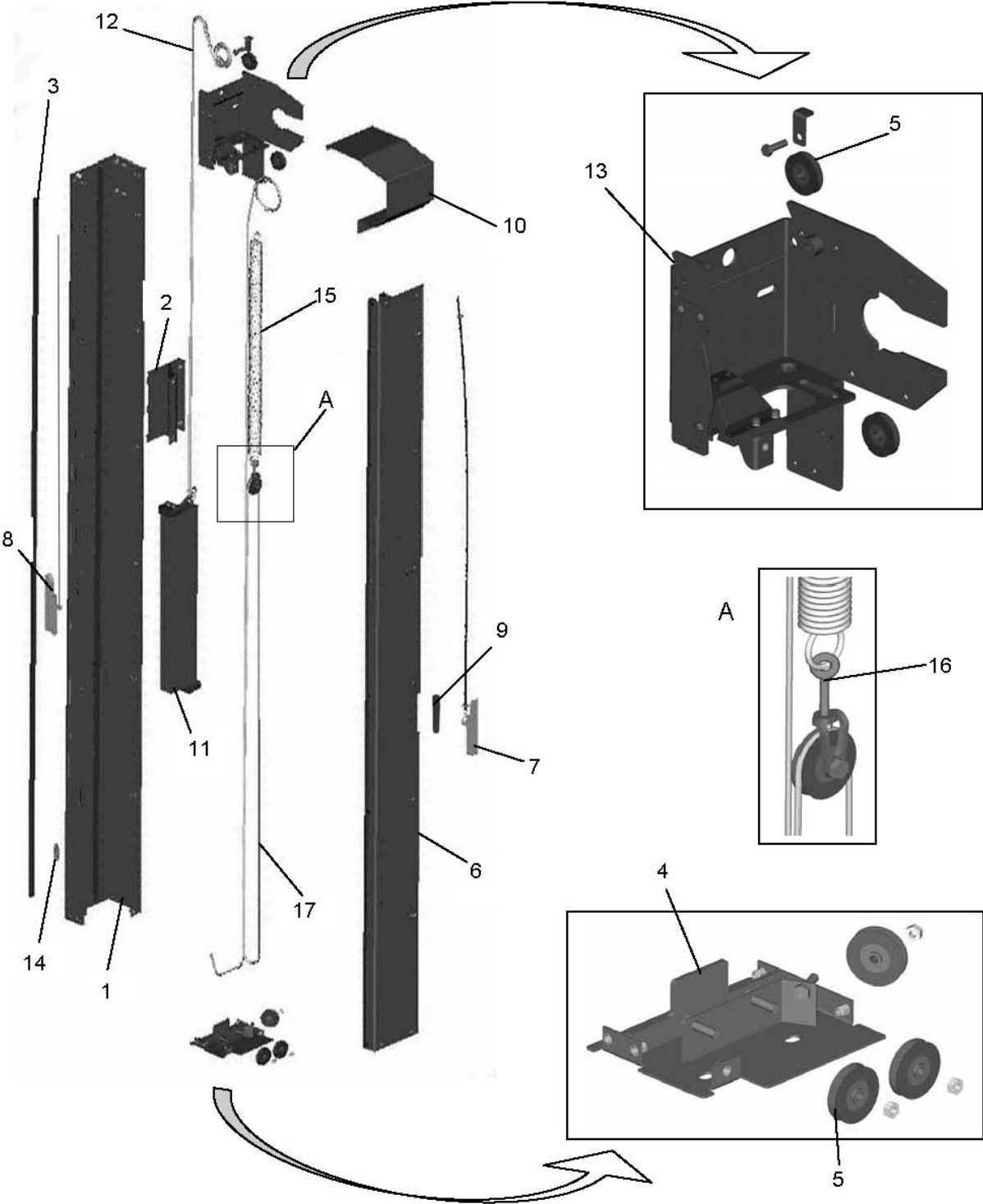


Side columns RH part numbers

Item	Description	Part-No.
	RH Column Without counterbalance, without curtain tension and without emergency lever	
1	RH support profile	4521RG131
2	Stiffening	4521R0156
3	Sliding rail support profile 118" (3000mm) long	4121R0032
4	RH ground plate	4521R0179
5	Rope pulley	5003R0001
6	RH front cover	4521RG147
7	Emergency lever (disconnect)	8220RG022
8	2. Emergency Lever (X)	
9	Coverplate	4521R0166
10	Upper cover for column Upper cover for chain drive	4521R0150
11	Counterbalance weight (RH)	8120R0034
12	Rope L=16 ft (counterbalance rope)	5105R0012
13	RH head plate Plast	8120R0031
	RH head plate Segment	8120R0027
14	Photocell Transmitter	8420R0010
15	Spring	4802R0003
16	Deflection spring	8120R0008
17	Rope 4,55mm for curtain tension	5105R0002

(X) Optional not standard version

Side columns RH and LH drawing

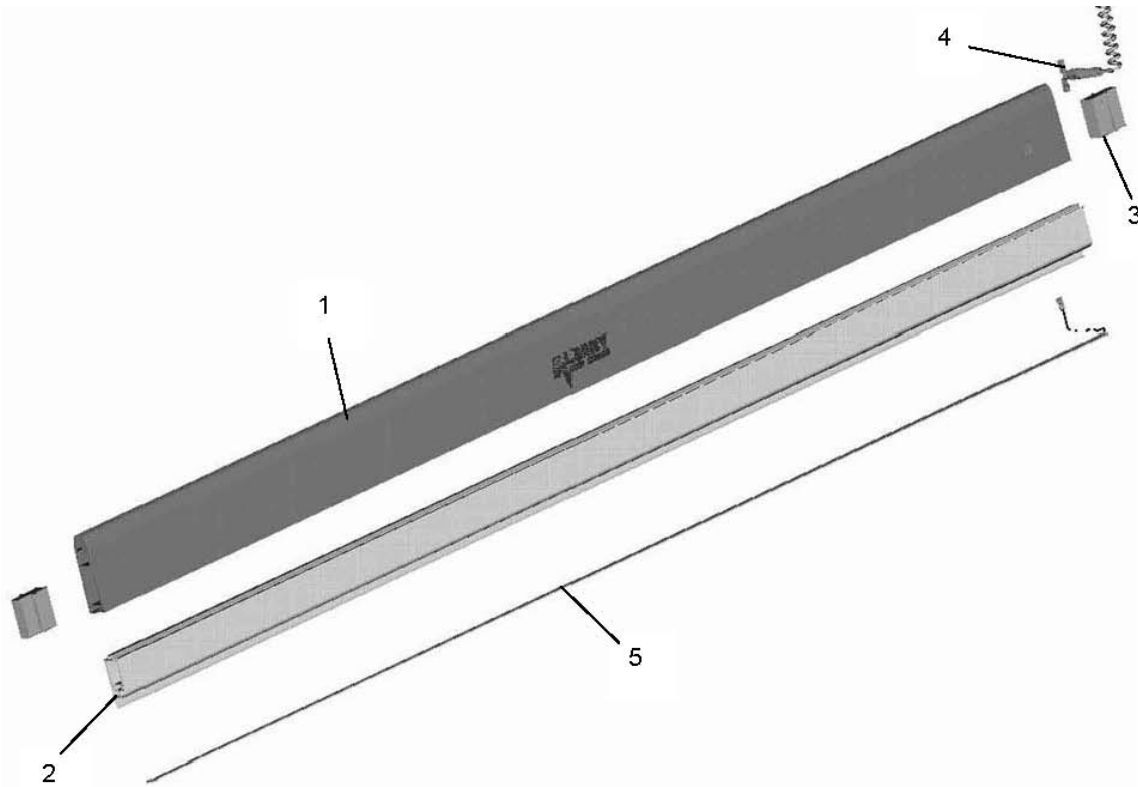


Side columns LH part numbers

Item	Description	Part-No.
	LH Column Without counterbalance, without curtain tension and without emergency lever	
1	LH support profile	4521RG132
2	Stiffening	4521R1056
3	Sliding rail support profile 118" (3000mm) long	4121R0032
4	LH ground plate	4521R0180
5	Rope pulley	5003R0001
6	LH front cover	4521RG080
7	Emergency lever	8220RG022
8	2. Emergency lever	
9	Coverplate	4521R0166
10	Upper cover for column Upper cover for chain drive	4521R0150
11	Counterbalance weight (LH)	8120R0038
12	Rope L=16 ft (counterbalance rope)	5105R0012
13	LH head plate Plast	8120R0032
	LH head plate Segment	8120R0028
14	Photocell Reciever	8420R0011
15	Spring	4802R0003
16	Deflection spring	8120R0008
17	Rope 4,55mm for curtain tension	5105R0002

(X) Optional not standard version

Bottom profile drawing

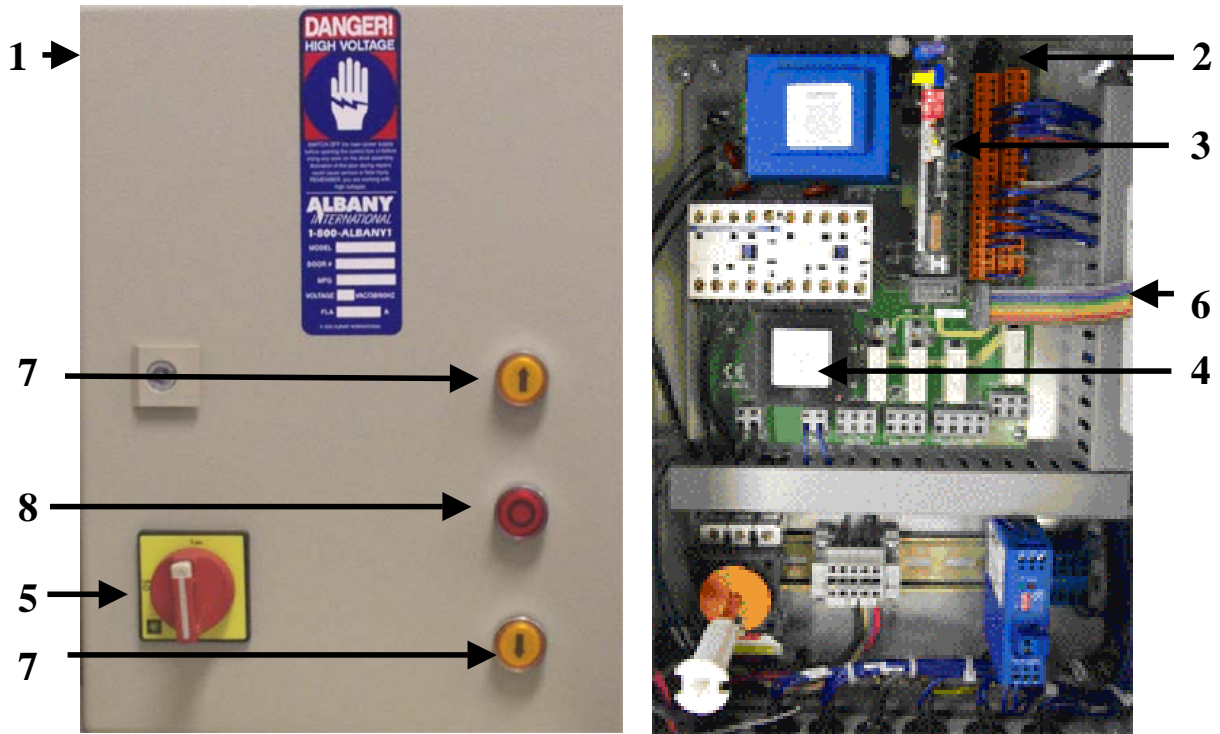


Bottom profile part numbers

Item	Description	Part-No.
	Bottom Beam assembly (fixed) (X)	BPR392-XXXXXX
	Bottom Beam assembly (Crash)	BPR392-XXXXXX
	Magnetic switch for crash (X)	4905R0017
1	Bottom rail profile (fixed)	4707R0003
	Bottom rail profile (Crash)	4707R0003
2	Rubber profile	4402RG001
3A	End guide plate (fixed)	4721R0026
3B	End guide plate (crash)	8150R0054
3C	Bottom Beam Block (crash)	4721R0025
4A	Coily cord, 3C, 1200mm (fixed)	4907R0015
4B	Coily cord, 3C, 1800mm (fixed)	4907R0016
4C	Coily cord, 5C, 1200mm (Crash)	4907R0013
5	Safety edge	8940R0003

(X) Optional not standard version

Electrical control unit



Electrical control unit part numbers

Item	Description	Part-No.
1	Control Panel - ACS50 1-SPEED	4903T0001
2	ACS50 MOTHERBOARD for 1-SPEED	4920T0001
3	CPU Function card	980072-5602
4	Brake rectifier (30VAC)	4909T0001
5	Rotary Disconnect w/handle & Rod	980072-7504
6	RIBBON CABLE	980072-8516
	KEY	980072-4014
7	PUSHBUTTON, YELLOW	980082-7506
8	PUSHBUTTON RED W/LAMP	980082-7505

(X) Optional not standard version