



PART NUMBER: 350015-0000

RAPID-ROLL DOOR PARTS MANUAL



MODEL 355

**975-A OLD NORCROSS ROAD
LAWRENCEVILLE, GA 30045**

(770) 338-5000 TEL

(770) 338-5034 FAX

(877) 925-2468 TOLL FREE

TABLE OF CONTENTS

- WARRANTY INFORMATION 3
- SAFETY PRACTICES 4
- RIGHT SIDE FRAME..... 5
- LEFT SIDE FRAME 7
- TOP ROLL..... 9
- BOTTOM BEAM..... 10
- DRIVE UNIT..... 11
- FULL ROLL COVER..... 12
- MOTOR COVER..... 12
- PARTS REQUEST..... 13

WARNING

DO NOT INSTALL, OPERATE, OR SERVICE THIS PRODUCT UNLESS YOU HAVE READ AND UNDERSTAND THE SAFETY PRACTICES, WARNINGS, INSTALLATION, AND MAINTENANCE INSTRUCTIONS CONTAINED IN THIS MANUAL.

RAPID ROLL® MODEL 355

OPENING SIZE	W=	H=	
MFG. DOOR SIZE	W=	H=	
OPERATOR LOCATION	LH	RH	
FUNCTION	AUTOMATIC	NON-AUTOMATIC	
CONTROL PANEL	ALLSTAR	<695>	
PRIMARY VOLTAGE	208-240 V	440-480 V 575 V	
DOOR ACTUATORS (QUANTITY)	PUSHBUTTON	<901>	
	PULL SWITCH	<911>	
	RADIO TRANSMITTER	4-BUTTON	<920>
		1-BUTTON	<921>
	RADIO RECEIVER	<925>	
	FLOOR LOOP RECEIVER 24 v	<930>	
	SAFETY PHOTOCELL	THRU-BEAM	<940>
		REFLECTIVE	<941>
MOTION DETECTOR	WIDE	<950>	
	NARROW	<951>	
PRESENCE SENSOR	<955>		
FABRIC	CLEAR PVC WITH CLEAR TENSIONING STRIPS		
COMMENTS:			

NOTES:

1) MEASUREMENTS ARE IN INCHES UNLESS OTHERWISE NOTED.

2) RIGHT HAND CONFIGURATION SHOWN, LEFT HAND CONFIGURATION OPPOSITE

CUSTOMER	DRAWN BY	JR
LOCATION	DATE	11/99
DEALER/SALESMAN	REVISION	A
DOOR #	DATE	SCALE
		N.T.S.

Normafa Division
DRAWING NAME MODEL 355
RAPID ROLL DOOR
DRAWING NUMBER
355-0001

APPROVED BY: _____

APPROVED WITH CHANGES AS NOTED BY: _____



STATEMENT OF WARRANTY

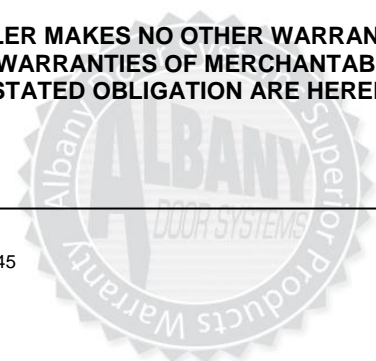
UltraFabric, RapidRoll 230, RapidRoll 355, RapidRoll 670 High Speed Doors

ONE-YEAR WARRANTY ON MECHANICAL AND ELECTRICAL COMPONENTS

- **Albany Door Systems** warrants to the original owner of the door that the mechanical and electrical components will be free from defects in material and workmanship for a period of **one (1) year** from the date of shipment. Vinyl fabric material, mesh screen material and transparent (PVC) polyvinyl chloride material is warranted for **one (1) year**. Two (2) ply panel material is warranted for **two (2) years** and three (3) ply panel material is warranted for **three (3) years**.
- Only defects brought to the attention of **Albany Door Systems** during the warranty period will be covered by this warranty.
- **Albany Door Systems** will replace component parts covered by this warranty, which are found to be defective upon inspection by an **Albany Door Systems** representative. Installation or use of parts other than those authorized by **Albany Door Systems** will void this warranty.
- PARTS AND ASSEMBLIES sold separately by **Albany Door Systems** that fail due to defects in material or workmanship within **ninety (90) days** from the date of shipment will be replaced under warranty provided installation has been carried out in accordance with all **Albany Door Systems** procedures. This warranty is limited to providing a replacement part only. This warranty does not cover freight, special charges, or any costs associated with the installation of the replacement part.
- This warranty covers material failure under normal wear conditions; it does not cover damage caused by collision or other abuse of the product. Adjustments made to the control panel or to the mechanical operation of the door without the authorization of **Albany Door Systems** will void this warranty. Any changes made to product configuration without the express written approval from Albany Door Systems may null and void this warranty.
- **Albany Door Systems'** obligations under this warranty are limited to repairing or replacing the defective part including labor and **Albany Door Systems** shall not be responsible for any other losses or damages due to the operation of any door or parts covered by this warranty. Warranty parts will be shipped regular ground freight at the expense of Albany Door Systems.
- This warranty shall be void in its entirety if the failure of any product shall be caused by any installation, operation, or maintenance of the product which does not conform with the requirements set forth by the seller in the applicable product manuals or is in the result of any cause other than a defect in the material or workmanship of the product.
- No other oral or written representations made by **Albany Door Systems** or its agents are a part of this warranty unless specifically set forth in writing by an authorized **Albany Door Systems** official.

THE ABOVE SET FORTH WARRANTY IS SELLER'S SOLE WARRANTY. SELLER MAKES NO OTHER WARRANTY OF ANY KIND WHATSOEVER, EXPRESSED OR IMPLIED; AND ALL IMPLIED WARRANTIES OF MERCHANTABILITY AND FITNESS FOR A PARTICULAR PURPOSE WHICH EXCEED THE AFORESTATED OBLIGATION ARE HEREBY DISCLAIMED BY SELLER AND EXCLUDED FROM THIS AGREEMENT.

Albany Door Systems - A Company of Albany International Corp. All Rights Reserved
1080 Maritime Drive, Port Washington, WI 53074 - 975-A Old Norcross Road, Lawrenceville, Georgia 30045
262-268-9885 or 877-925-2468
v4202010

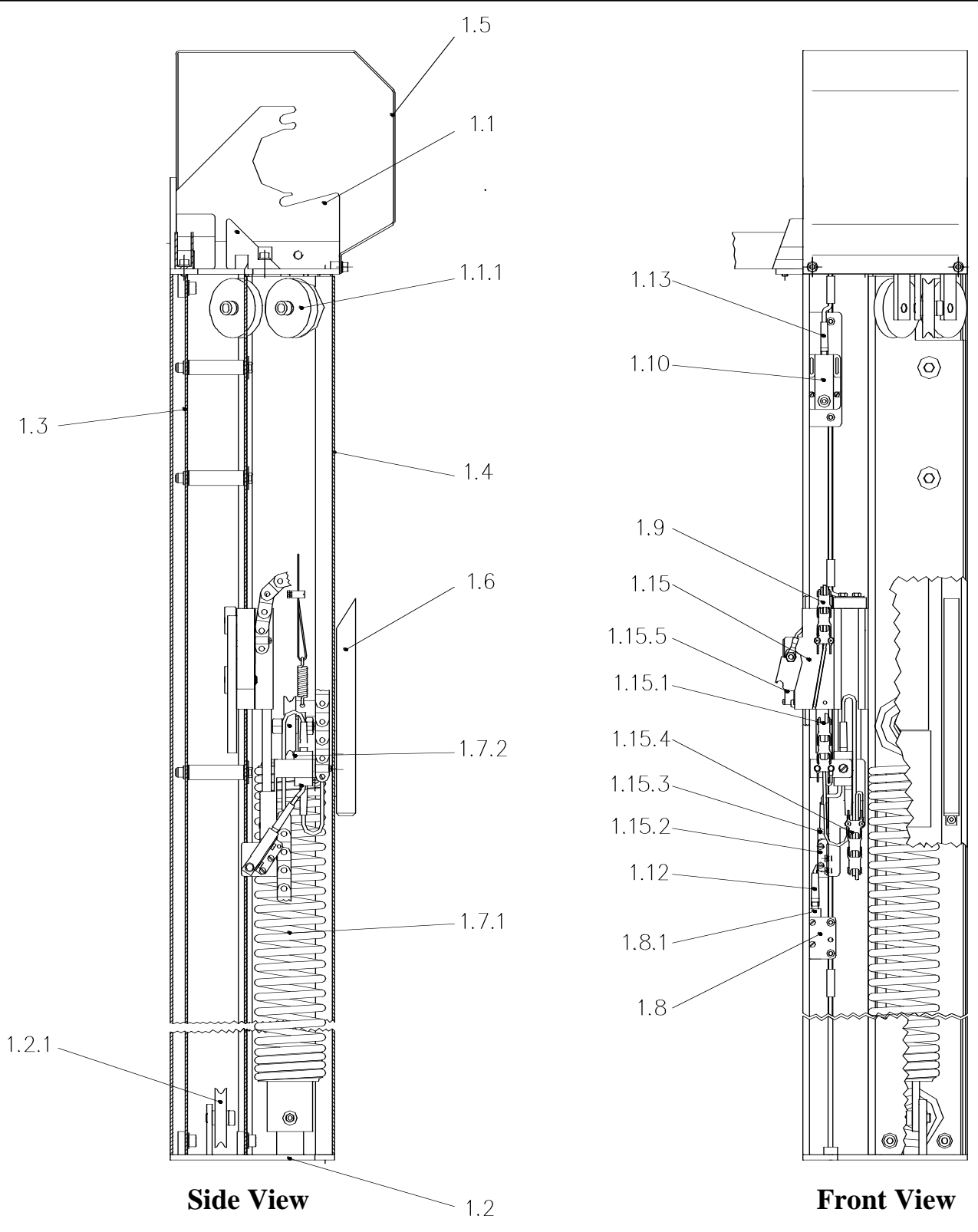


SAFETY PRACTICES

WARNING

THOROUGHLY READ THESE SAFETY PRACTICES PRIOR TO INSTALLING, OPERATING, OR SERVICING A HIGH-SPEED, RAPID-ROLL™ DOOR. FAILURE TO FOLLOW THESE SAFETY PRACTICES MAY RESULT IN PROPERTY DAMAGE, PERSONNEL BODILY INJURY, OR DEATH.

1. Do not operate a RAPID-ROLL™ Door while you are under the influence of drugs or alcohol.
2. Do not use the door if any parts appear to be broken or damaged.
3. Stay clear of the door while it is operating.
4. Keep hands and feet clear of the door at all times.
5. Do not drive through the door opening unless door is completely open.
6. Maintain a clear door opening at all times. Keep the door opening free of any obstructions.
7. Remove power at the fused disconnect during all electrical or mechanical service. OSHA requires a disconnect to be properly tagged and locked out during all maintenance or service of equipment.
8. All electrical troubleshooting or service must be performed by a qualified electrician or service person and must meet all applicable local, state, federal, international, and other governing agency codes.
9. **USE EXTREME CAUTION** when it is necessary to service the control panel while it is energized.
10. If you have any questions, please contact your local Albany service provider for assistance. Otherwise contact **Albany Door Systems** at 1-877-925-2468 for information on your local distributor.



Side View

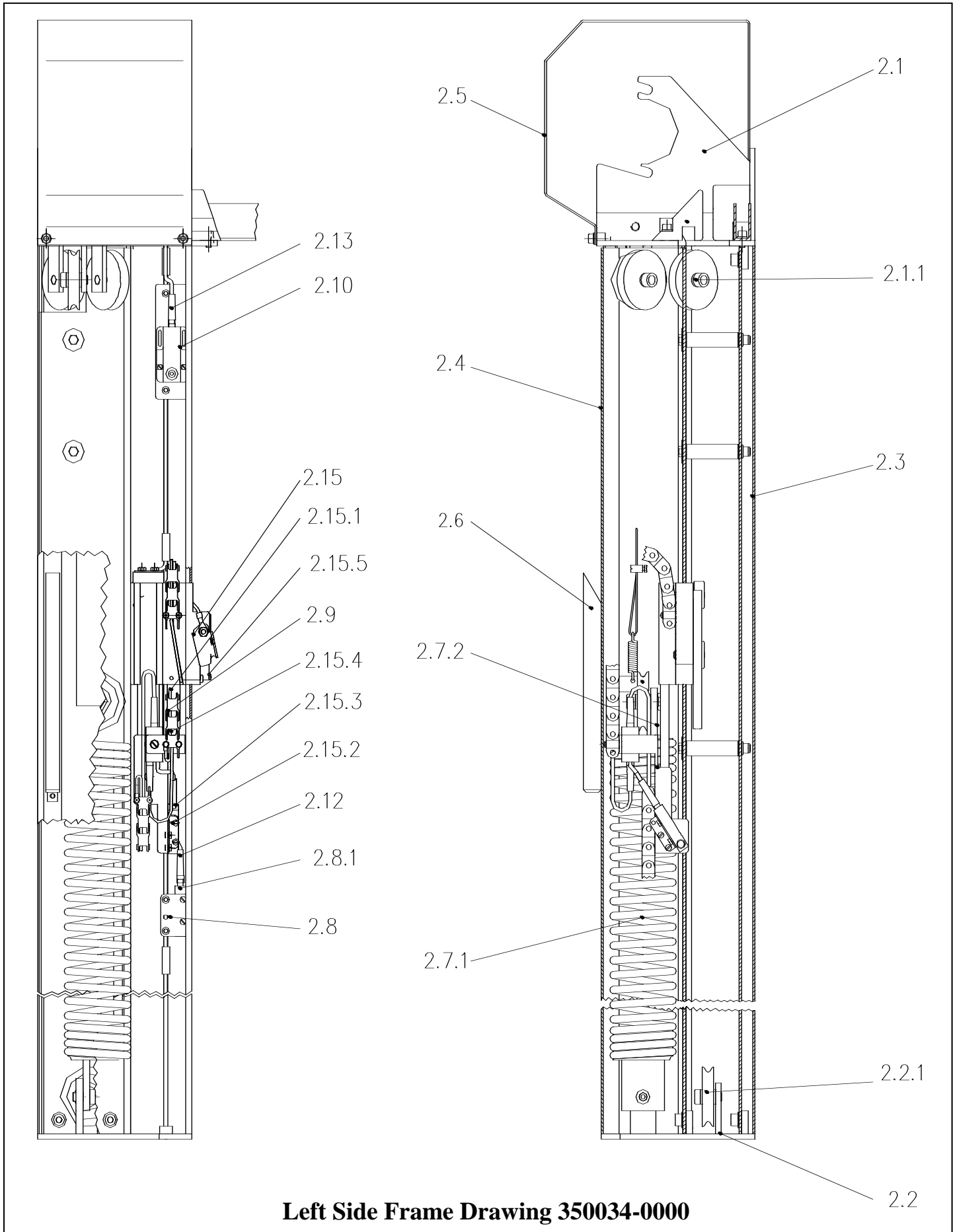
Front View

Right Side Frame Drawing 350034-0001

MODEL 355 RH SIDE FRAME PARTS LIST

Refer to Drawing 350034-001 unless Noted

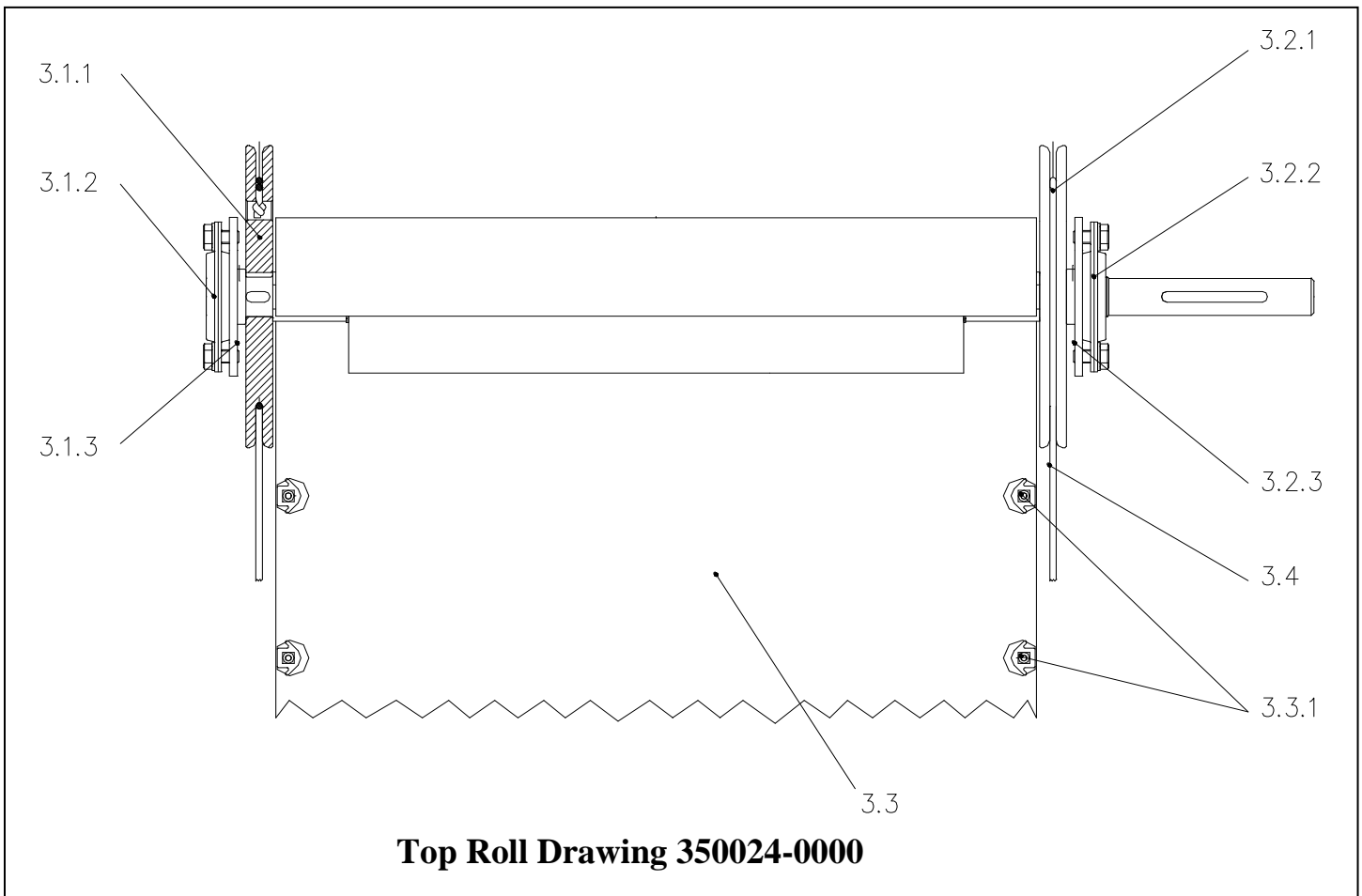
ITEM	ITEM DESCRIPTION	PART #	QTY	NOTE(S)
1	SIDE FRAME ASSEMBLY, RH, W/O SPRING	K350034-0002	1	
1.1	BEARING BRACKET ASSEMBLY, RH	K350034-2004	1	Includes pulley assemblies, K350034-2002
1.1.1	PULLEY, ASSEMBLY C/W HARDWARE	K350034-2002	3	Pulley with M10 x 25 hex head bolt.
1.2	BOTTOM PLATE ASSY, SIDE FRAME (RH)	K350034-2001	1	
1.2.1	PULLEY, ASSEMBLY C/W HARDWARE	K350034-2002	1	
1.3	BACK, SIDE FRAME ASSEMBLY (RH)	K350034-2010	1	
1.4	COVER, SIDE FRAME FRONT ASSEMBLY (RH)	K350034-2012	1	
1.5	COVER, ROLL CAP ASSEMBLY	K350034-2018	1	
1.6	DISENGAGEMENT LEVER ASSEMBLY	350034-2026	1	Drive side location only. Thruwall is 8220050
1.7.1	SPRING, 355 @ 62.7" LG	350031-4019	1	
	SPRING, 355 @ 80" LG	350031-4018	1	
	SPRING, 355 @ 108.25" LG	350031-4039	1	
1.7.2	ROLLER, SPRING TOP ASSEMBLY	K350034-2017	1	Includes Pulley Assembly
1.8	PHOTOCELL, TRANSMITTER ASSY, RH	K350034-2020	1	Comes w/ mounting plate
1.8.1	PHOTOCELL, TRANSMITTER	4904R0211	1	Transmitter only. Green light
1.9	CABLE CHAIN ASSEMBLY, C/W WIRES (10M)	350034-2021	1	Non-drive side only
	CABLE CHAIN ASSEMBLY, C/W WIRES (6M)	350034-2043	1	Drive side only
1.10	TOP PROXIMITY SWITCH ASSEMBLY, RH	350034-2025	1	Prox switch w/ mounting plate
1.10.1	TOP PROXIMITY SWITCH	980082-4015	1	
1.12	CABLE, PHOTOCELL (6M)	4907R0029	1	
	CABLE, PHOTOCELL (10M)	4907R0032	1	
1.13	CABLE, TOP PROXIMITY SWITCH	980072-8519	1	
1.15	END BRACKET ASSEMBLY, C/W CSE (RH)	350034-2029	1	
1.15.1	TUBE, STOP 10 X 20MM	350031-4030	1	This item is part of item 1.15
1.15.2	PHOTOCELL , RECIEVER ASSEMBLY, RH	K350034-2035	1	This Assy contained in the RH endbracket.
1.15.2.1	PHOTOCELL RECIEVER	4904R0283	1	Receiver unit only. Red light
1.15.3	CONNECTOR, Y ASSEMBLY, RH	K350034-2039	1	Y Connector and hardware – part of 1.15
1.15.3.1	CONNECTOR,Y (RH)	980082-4014	1	Y Connector only
1.15.4	CABLE CHAIN ASSEMBLY C/W HARDWARE	K350034-2040	1	This kit is a part of 1.15
1.15.5	PROXIMITY SWITCH ASSEMBLY	K350034-2041	1	This kit is a part of 1.15



MODEL 355 LH SIDE FRAME PARTS LIST

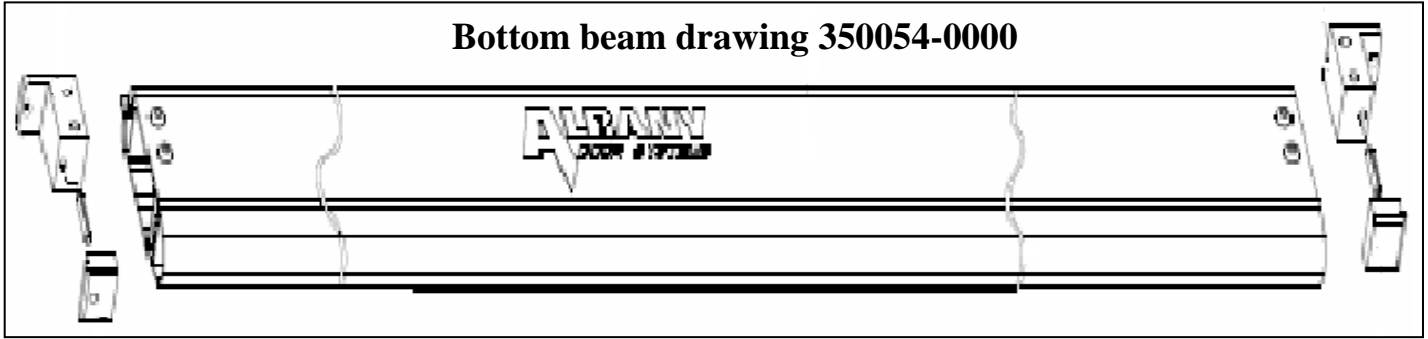
Refer to Drawing 350034-0000 unless Noted

ITEM	ITEM DESCRIPTION	PART #	QTY	NOTE(S)
2	SIDE FRAME ASSEMBLY, LH, W/O SPRING	K350034-0003	1	
2.1	BEARING BRACKET ASSEMBLY, LH	K350034-2003	1	Includes pulley assemblies
2.1.1	PULLEY, ASSEMBLY C/W HARDWARE	K350034-2002	3	Pulley with M10 x 25 hex head bolt.
2.2	BOTTOM PLATE ASSY, SIDE FRAME (LH)	K350034-2000	1	
2.2.1	PULLEY, ASSEMBLY C/W HARDWARE	K350034-2002	1	
2.3	BACK, SIDE FRAME ASSEMBLY (LH)	K350034-2009	1	See item 2 for complete assy
2.4	COVER, SIDE FRAME FRONT ASSEMBLY (LH)	K350034-2011	1	
2.5	COVER, ROLL CAP ASSEMBLY	K350034-2018	1	
2.6	DISENGAGEMENT LEVER ASSEMBLY	350034-2026	1	Drive side location only. Thruwall is 8220050
2.7.1	SPRING, 355 @ 62.7" LG	350031-4019	1	
	SPRING, 355 @ 80" LG	350031-4018	1	
	SPRING, 355 @ 108.25" LG	350031-4039	1	
2.7.2	ROLLER, SPRING TOP ASSEMBLY	K350034-2017	1	Includes Pulley Assembly
2.8	PHOTOCELL, RECEIVER ASSY, LH	K350034-2019	1	Comes w/ mounting plate
2.8.1	PHOTOCELL, RECEIVER	4904R0283	1	Receiver only. Red light
2.9	CABLE CHAIN ASSEMBLY, C/W WIRES (10M)	350034-2021	1	Non-drive side only
	CABLE CHAIN ASSEMBLY, C/W WIRES (6M)	350034-2043	1	Drive side only
2.10	TOP PROXIMITY SWITCH ASSEMBLY, LH	350034-2024	1	Prox switch w/ mounting plate
2.10.1	TOP PROXIMITY SWITCH	980082-4015	1	
2.12	CABLE, PHOTOCELL (6M)	980072-8517	1	Drive side only
	CABLE, PHOTOCELL (10M)	980072-8518	1	Non-drive side only
2.13	CABLE, TOP PROXIMITY SWITCH	980072-8519	1	
2.15	END BRACKET ASSEMBLY, C/W CSE (LH)	350034-2028	1	
2.15.1	TUBE, STOP 10 X 20MM	350031-4030	1	This is part of item 2.15
2.15.2	PHOTOCELL, TRANSMITTER ASSY, LH	K350034-2034	1	This Assy contained in the LH endbracket
2.15.2.1	PHOTOCELL TRANSMITTER	4904R0211	1	Transmitter only. Green light
2.15.3	CONNECTOR, Y ASSEMBLY, LH	K350034-2038	1	Y Connector and hardware – part of 2.15
2.15.3.1	CONNECTOR, Y (LH)	980082-4013	1	Y Connector only
2.15.4	CABLE CHAIN ASSEMBLY C/W HARDWARE	K350034-2040	1	This kit is a part of 2.15
2.15.5	PROXIMITY SWITCH ASSEMBLY	K350034-2041	1	This kit is a part of 2.15



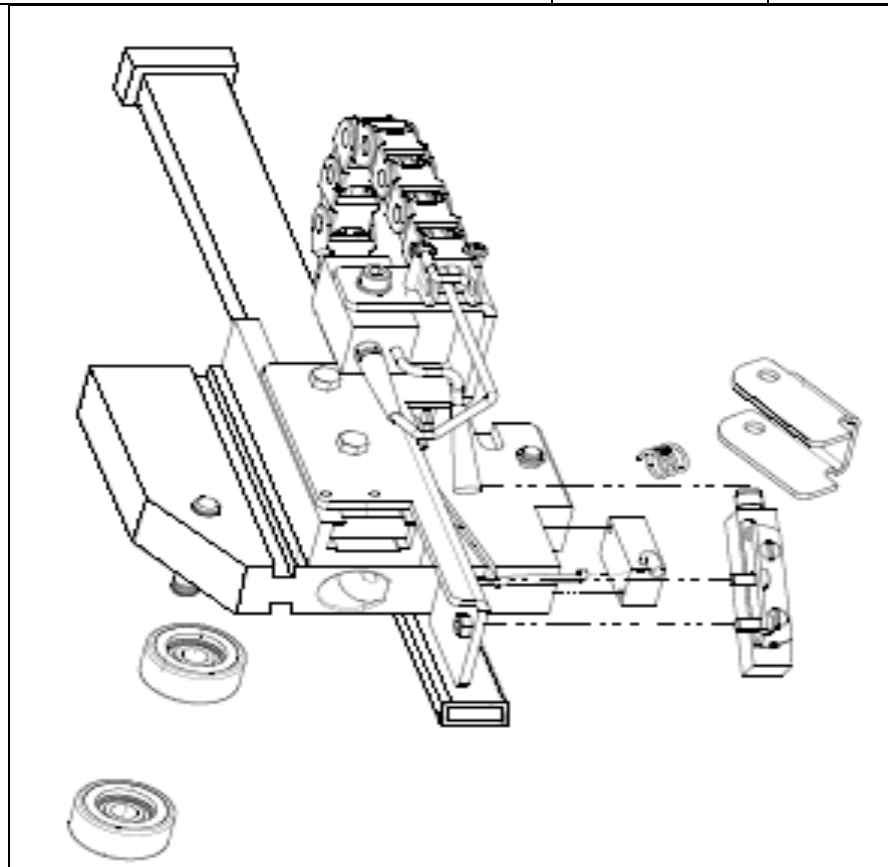
<i>MODEL 355 TOP ROLL PARTS LIST</i>				
<i>Refer to Drawing 350024-000 unless Noted</i>				
<i>ITEM</i>	<i>ITEM DESCRIPTION</i>	<i>PART #</i>	<i>QTY</i>	<i>NOTE(S)</i>
3	TOP ROLL ASSEMBLY W/O FABRIC	K350024-0000	1	Provide door number
3.1.1	DRUM, ROPE	990022-4007	2	3.2.1 SAME
3.1.2	FLANGE, BEARING	5103R0073	4	3.2.2 SAME
3.1.2	BEARING	5103R0074	2	3.2.2 SAME
3.1.3	PLATE, BEARING MOUNT	350021-4008	2	3.2.3 SAME
3.3	FABRIC, COMPLETE ASSEMBLY	K350044-0000	1	Provide door number
3.3.1	WIND CLIP ASSEMBLY	K220041-4001	28	
3.4	ROPE, TENSION WHITE	5105R0002	/ FT	50" x DH /12
	Keystock 7mm x 8mm x 80mm	N/A		Not shown

Bottom beam drawing 350054-0000



MODEL 355 BOTTOM BEAM PARTS LIST

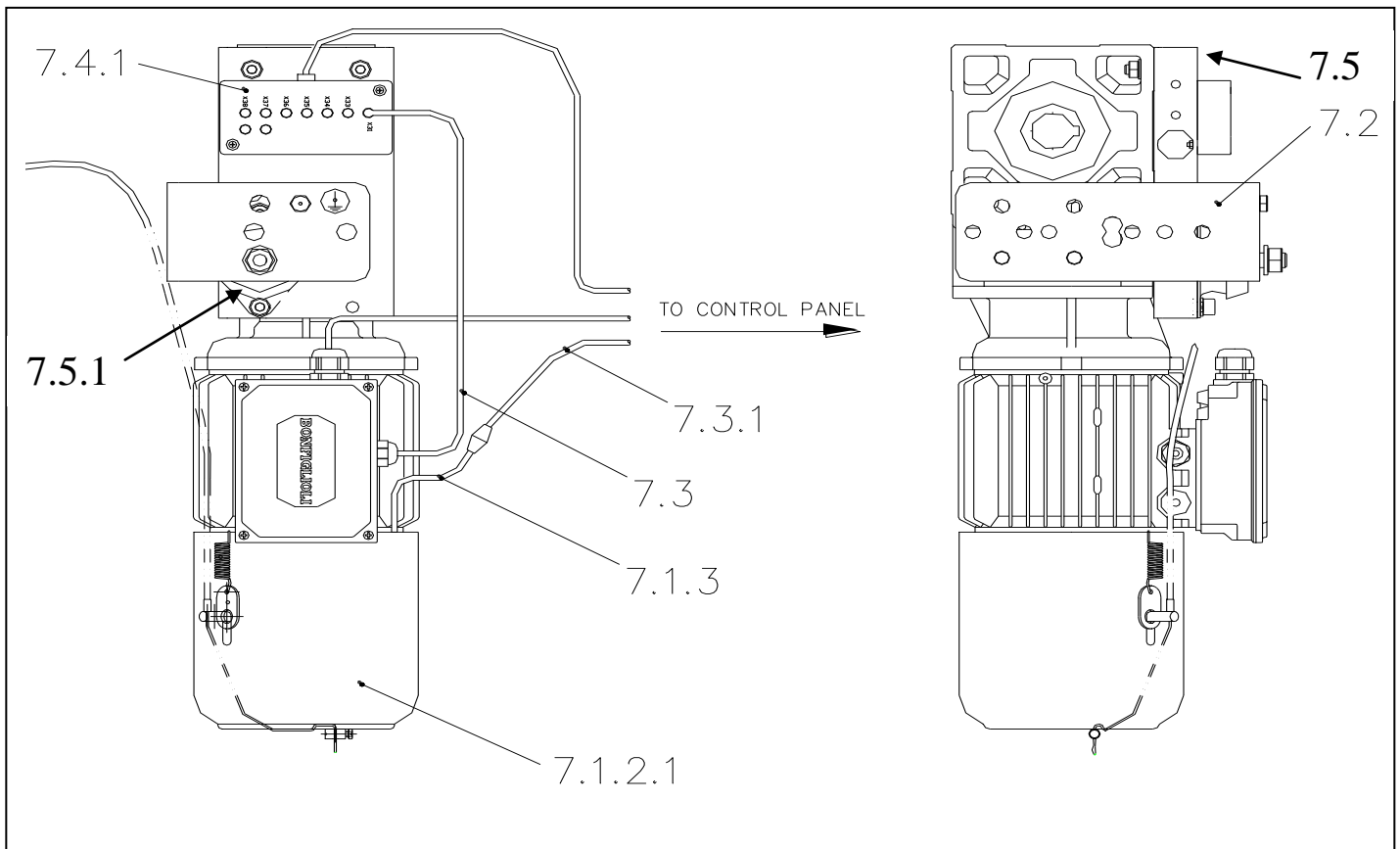
<i>ITEM</i>	<i>ITEM DESCRIPTION</i>	<i>PART #</i>	<i>QTY</i>	<i>NOTE(S)</i>
	BOTTOM BEAM ASSEMBLY, WITHOUT ENDBRACKETS	K350054-0000	1	Provide Door Serial number
	EXTRUSION, RUBBER	350051-4002	/ FT	Sold by the foot
	EXTRUSION, BOTTOM BEAM ALUMINUM	990051-4000	1	Stock length = 197"
	COMPLETE ENDBRACKET ASSEMBLY	<u>350034-2028</u> <u>350034-2029</u>		<u>LEFT HAND</u> <u>RIGHT HAND</u>



MODEL 355 DRIVE SYSTEM PARTS LIST

Refer to Drawing 980064-2001 unless Noted

ITEM	ITEM DESCRIPTION	PART #	QTY	NOTE(S)
7	DRIVE UNIT ASSEMBLY, MODEL 355	K350064-0000	1	This incl. all parts shown on drwg assembled
7.1.2.1	DRIVE UNIT, MODEL 355	6601R0063	1	Motor/Gearbox Only
7.1.3	ENCODER, MODEL 355 (Dual channel prox)	4905R0019	1	
	Complete encoder kit w/ mtg plate and cable	8110T0006		
7.2	BRACKET, TORQUE ARM	4521R0776	1	
7.3	CABLE, THERMAL SWITCH	980072-8522	1	
7.3.1	CABLE, ENCODER	980072-8521	1	
7.4.1	CONNECTOR BOX	980072-8520		
7.5	BRACKET, MOTOR MOUNTING	4521R0034	1	
7.5.1	DAMPNER, VIBRATION	5004R0041	1	
	BRAKE ASSEMBLY COMPLETE	K6622R0018	1	Not shown



Motor/Gearbox Drawing 980064-2001

MODEL 355 ROLL COVER PARTS LIST

Refer to Drawing 350024-2009 & 350024-2006 unless Noted

ITEM	ITEM DESCRIPTION	PART #	QTY	NOTE(S)
5	COVER, FULL ROLL ASSEMBLY, COMPLETE	K350024-2009	1	
6	COVER, MOTOR ASSEMBLY, COMPLETE	K350024-2006	1	State Left or Right

