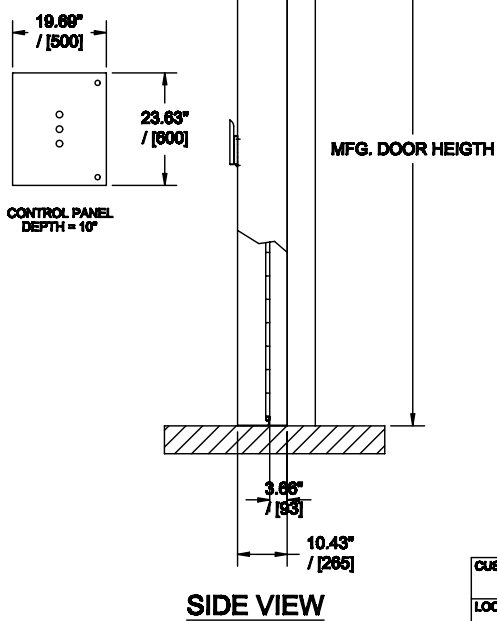
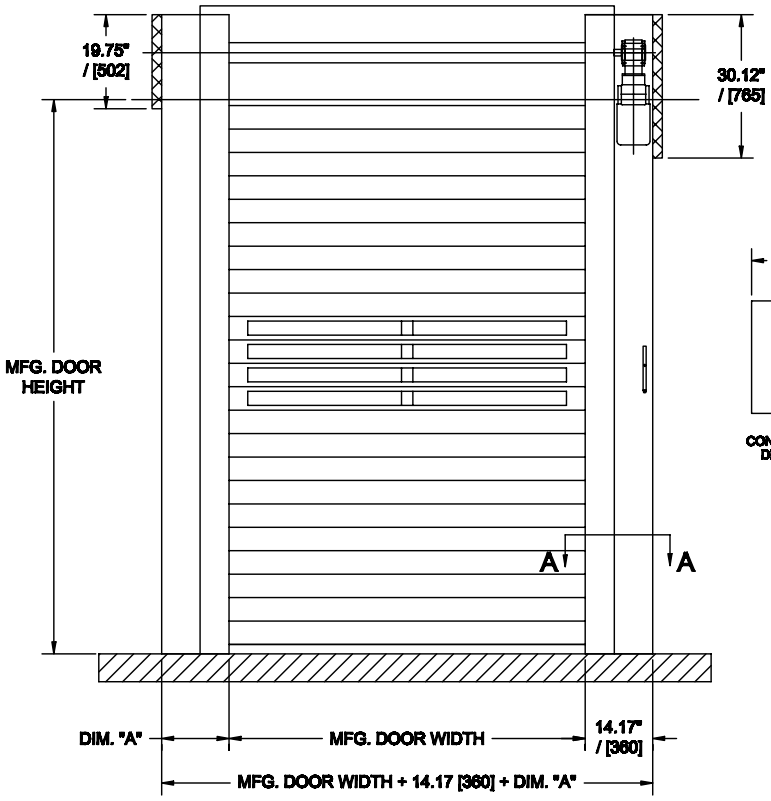
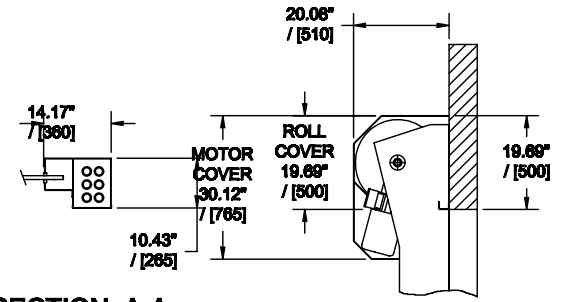


NOTE:  
 A. DOORS <8'-1/2" [2500] AVAILABLE WITH FULL ROLL COVERS ONLY  
 B. RH DRIVE SIDE SHOWN, LH OPPOSITE  
 C. FOR WINDOW GONFIG. PLEASE REFER TO WINDOW CONFIGURATION CHART #RR3000-002  
 D. WIDTH GAUGE SUPPORT BRACKET ATTACHMENT MAYBE REQUIRED DEPENDING ON DOOR WIDTH.



**SECTION A-A DRIVE SIDE**  
**ROLL COVER SPACE REQUIREMENTS**

**TABLE "A"**

MFG. DOOR WIDTH	DIM. "A"
MFG. DOOR WIDTH <= 12'-5" [3800]	8.66" [220]
MFG. DOOR WIDTH > 12'-5" [3800]	14.17" [360]

OPENING SIZE	W=	H=
MFG. DOOR SIZE	W=	H=
PRIMARY VOLTAGE	208-240	440-480 575-600
DRIVE SIDE - (RH / LH)	WINDOWS - (YES / NO)	
INSULATED PANELS (YES / NO)	POWDER COATED PAINT (RAL# / NO)	
DOOR ACTUATORS (QUANTITY)	PUSHBUTTON	<901>
	PULL SWITCH	<911>
	FLOOR LOOP	<930>
	PHOTOCELLS	THRU BEAM <940> REFLECTIVE <941>
	MOTION DETECTOR	<950>
	RADIO RECEIVER	<925>

COMMENTS:

= RECOMMENDED CLEARANCES

**DH <= 9.84' [3000] CLEARANCE DRAWING**

CUSTOMER:	APPROVED BY:					
LOCATION:	APPROVED WITH CHANGES BY:					
SALESMAN / DEALER:	DATE:	SCALE = N.T.S.				
DESCRIPTION:		<b>ULTRA SECURE APPROVAL</b>				
DRAWING NO:						
Rev	Change	Date	Name	DRAWING NO: <b>ULTRA SECURE-002</b>	DESIGNER: <b>J. REITZ</b>	DATE: <b>12/07/2007</b>