

### Technical data

Interior door:	suitable
Exterior door:	suitable
Clear opening size (mm):	W max.:9000 H max.:8000
Door area:	max. 54 m <sup>2</sup>

### Control system: speed open/close Connection

ACS 70	standard	1,2 / 0,6 m/s
	L/N/PE 200/230/240 V; 50/60 Hz (standard)	
	2L/PE 400/440/500 V; 50/60 Hz (optional)	

	<b>ACS 70</b>
Fuse protection:	10/16A
Control voltage:	24 V DC
Protection:	IP 65
Additional opening heights:	standard
Potential free contacts	
max. 250 V:	optional
Motor power:	1,5 kW
Flashing error light:	optional
Error message:	encoded/LCD

Drive:	electrically IP 54
Chain drive:	optional
Running direction:	vertically

### Surface

Side frame:	anodized aluminium
Top roll:	steel tube
Bottom profile:	anodised aluminium
Front cover for top roll and drive:	optional

### Curtains

RollTex Original (fabric stiff across the grain)	
Curtain tension:	standard
Travelling wind bar:	standard
2nd travelling wind bar:	optional
Curtain tension:	standard
Counterbalance:	standard

### Safeties

Safety contact edge pneumatic:	standard
Safety contact edge electrical:	optional
Safety photocell stationary:	standard
Fall down protection:	counter weights
Manual activation:	standard, by releasing the brake with bowden lever
Second Bowden lever	optional
Traffic lights	optional

### Advantages of the ALBANY NOMAFA RapidRoll® 900

- the extremely robust, tear resistant RollTex fabric
- a remarkably long lifetime
- incredible energy savings
- prevention of drafts and heat loss

### Applications

- to separate rooms and environments, saving energy
- as an exterior door for demanding outside conditions
- in highly frequented airlocks

### Door Design

The top roll consists of a steel tube with welded end caps. The shafts are supported on both sides by bearings. The curtain is riveted to the top roll, and sealed towards the wall.

Anodised aluminium side frames on both sides of the curtain guide its upward and downward motion. They can be quickly and easily opened for service.

The pneumatic safety contact strip is made of weather resistant, oil proof, rubber and therefore assures an effective seal. Should the edge come into contact with an object, then the door immediately reverts into the open position.

### Curtain

The door curtain is constructed of extremely rigid, tear resistant RollTex fabric: tensile strength 212 kN/m. The coated fabric seals against moisture and drafts. Standard colours are blue, orange and grey.

### Counterbalance / Curtain tension system / wind resistance

The counterbalance system is achieved by means of steel weights. The closed door is tensioned by means of tension springs.

A travelling wind bar is standard. If needed extra wind bars can be installed – as an option – in front or behind the door. In some cases extra space is needed.

### Drive unit

3 Phase motor with a worm gear, is connected direct on the top roll.

### Control System

ACS 70. See technical data.

### Safety Features

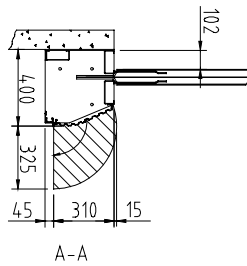
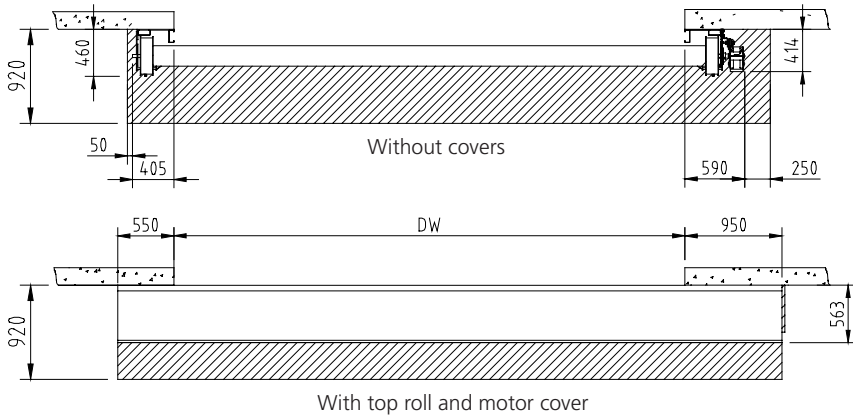
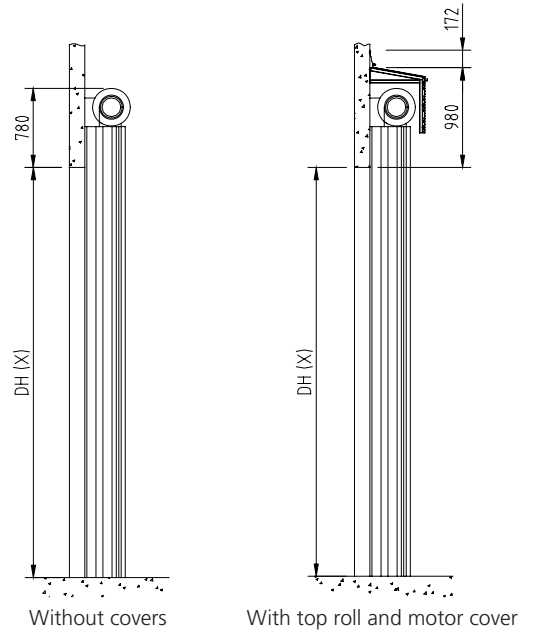
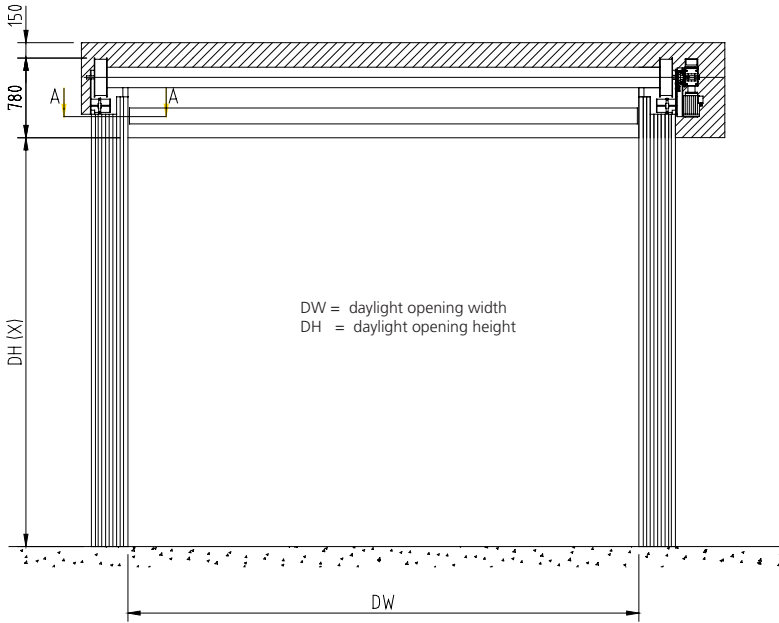
This door conforms with the regulations of the Workplace Directive of the UVV as well as the harmonised CE Guidelines including the prEN 13241.

### Indication of risks

The security of the door is designed for the normal use of vehicles corresponding to the harmonised CE Guidelines. In consideration of the situation on site – especially in case of use by pedestrians, additional security measures or impulse activators may be necessary. In case of any doubt please contact our sales engineer to receive advice on site.

### Manual Activation

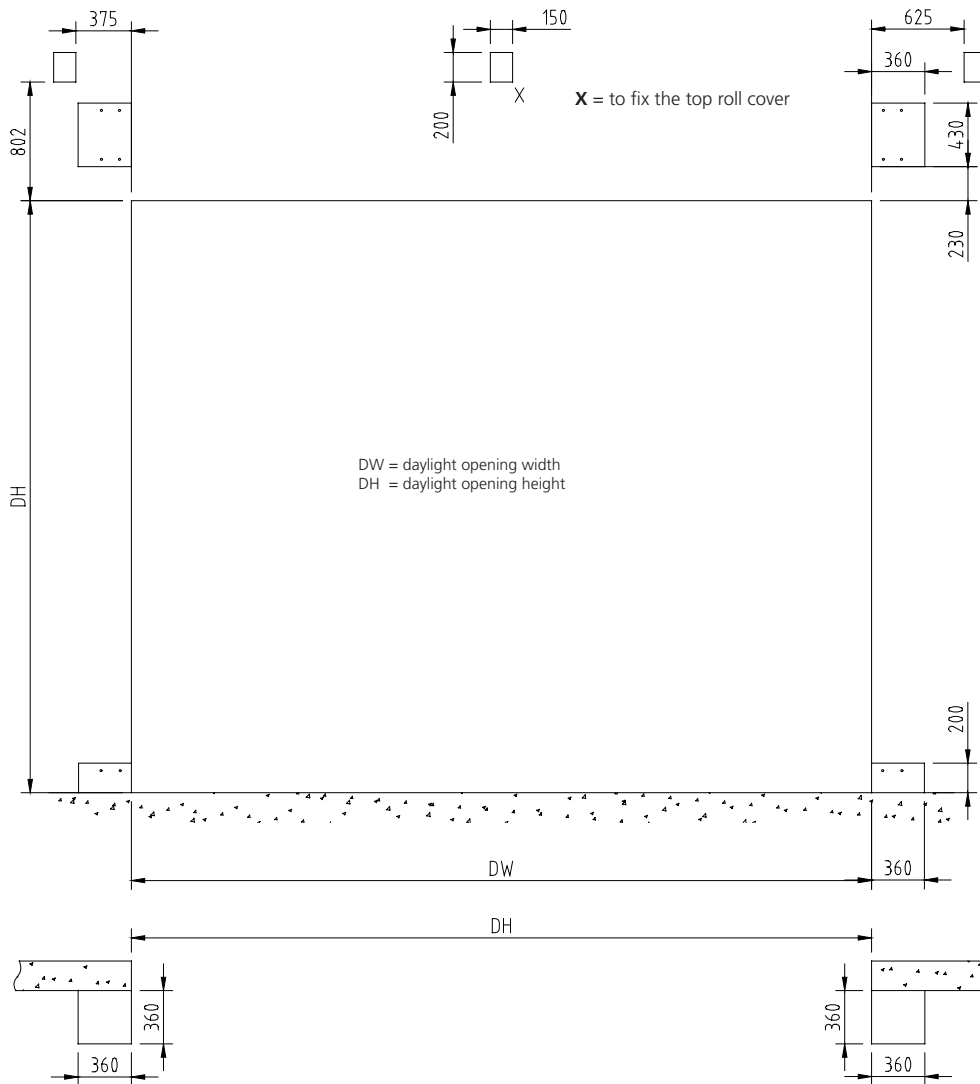
In the event of a power failure, the door curtain can be manually released and simply lifted through the supporting weights of the counterbalance system.



**Important for windbar:**

X = Add 150mm to DH for first front windbar and second rear windbar. Add 300mm at second front windbar.

Shaded areas indicate the space that is needed for installation and servicing. If the required space is not available, please consult Albany Door Systems.



**Toll Free 1300 666 232**  
[www.albanydoorsystems.com](http://www.albanydoorsystems.com)

**NSW**

4/465 Victoria Street  
 Wetherill Park NSW 2164  
 Ph: 02 9756 4330  
 Fax: 02 9756 4340

**VICTORIA**

12 Horscroft Place  
 Moorabbin VIC 3189  
 Ph: 03 9553 5455  
 Fax: 03 9553 5486

**QUEENSLAND**

1/13 Smallwood Street  
 Underwood QLD 4199  
 Ph: 07 3341 5922  
 Fax: 07 3341 7833

**TASMANIA**

4/190 Invermay Road  
 Launceston TAS 7250  
 Office Tel/Fax: 03 6326 8899  
 Scott Bakes: 0417 249 495

**SOUTH AUSTRALIA**

41 York Street  
 Wingfield SA 5013  
 Ph: 08 8260 2940  
 Fax: 08 8260 7223

**MANUFACTURING**

23 Faunce Street  
 West Gosford NSW 2250  
 Ph: 02 4323 2386  
 Fax: 02 4324 5411

**Resellers**

**Western Australia - Auto Doors Systems**

36 Crompton Road  
 Rockingham WA 6168  
 Ph: 08 9527 2981  
 Fax: 08 9592 6242

**New Zealand - Flexible Door Technology Ltd**

82b Kingsley Street  
 Christchurch NZ 8035  
 Ph: + 64 3 377 1551  
 Fax: + 64 3 377 1552

Unit E, 657 Great South Road  
 Penrose Auckland NZ  
 Ph: + 64 9 580 2440  
 Fax: + 64 9 580 2442

**Free call New Zealand 0800 267 888**

# HIGH SPEED ROLL DOOR ALBANY NOMAFA RapidRoll® 900



## Data Sheet High Speed Roll Door **ALBANY NOMAFA RapidRoll® 900**

The largest for industrial applications

Our position as market leader can be most easily recognised by the sheer number of really big, flexible doors used in every branch of industry.

The RollTex® curtain, 2,5 mm thick, seamlessly woven in 2 layers, provides through its transverse rigidity excellent wind stability. Standard colours blue, orange and grey.

ACS 70 – frequency converter control as standard.

